



**HAJO TOOL**

PROFESSIONELT SPECIALVÆRKTØJ

Vejlegårdsvej 65 B • DK-2665 Vallensbæk  
Telefon +45 4444 2400 • Fax +45 4444 0833  
www.hajo.dk • hajo@hajo.dk

ETS LONG SAS - 80 RUE DU LOQUOIS

ZAE RUMILLY SUD - 74150 MARIGNY-ST-MARCEL

TEL. +33 (0)4 50 01 11 58 - FAX +33 (0)4 50 01 14 85

www.emg.fr - contact@emg.fr

S.A.S. AU CAPITAL DE 674 800 € - SIRET 780 084 901 00039

# OPERATING MANUAL EMG PRESS – 2 HR

& Spare Parts



## **Description**

This model is frequently used for assembly, connections of rings or bearings, small forms various crimping operations requiring little power.

This very sturdy press provides complete satisfaction under normal use.

## ***Characteristics***

Power	200 Kg
Travel	0 to 50 mm
Clear height	from 54 to 200 mm
Swan-neck depth	72 mm
Angle of rotation per mm of travel	4°58
Table bore	Ø 14 H7
Slider bore	10 H7 X 24 mm
Table	100 mm X 70 mm
Weight	8 Kg

## ***Unpacking / installation***

Remove the press from its packaging. Check the apparent good condition of the different component. Clean rust protection covering the machined parts. The machine must be used on a flat work surface. Attach the press on a bench, through the mounting holes Rep 1 provided for this purpose (see drawing on last page).

## ***Implementation of tools***

To fasten the lower part of your tool to your workbench, use the Ø6 M6 provided for this purpose. Insert the upper part of your tool in the slider bore Ø 10 H7 and tighten with screw HC Ø M6 Rep 2 (see drawing on last page).

The tools must be stable and firmly secured on the press.

It is essential that adjustment, assembly and dismantling operations for tools be done by qualified personnel. Working or carrying out adjustment operations with two people on the machine is forbidden. Respect this rule and prevent third parties having access to the work area.

## ***Adjusting limit stop***

To set the necessary stroke, adjust the position of the screw Ø M 6 and lock nut provided for this purpose, located on the guide plate of the slider, and which abuts on the upper part of the press head.

## ***Upkeep and maintenance***

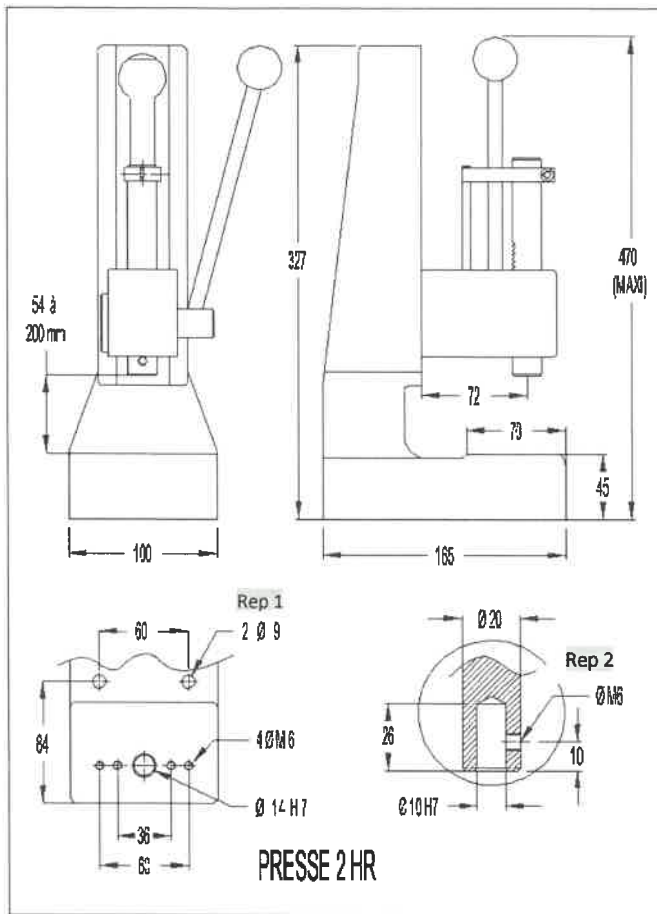
This particularly robust press needs no maintenance. By lubricating moving parts twice a year with light oil and keeping it clean, your press will last for years.

**ALL MAINTENANCE WORK MUST BE DONE BY QUALIFIED PERSONNEL**

## ***Residual risks***

In case of risks (swarf projection, tool breakage, etc), the operator should be equipped with protection equipment (gloves, safety glasses, etc.) appropriate to the work being done, in order to prevent injury.

If the noise caused by the operation performed on the machine is greater than 80 dB (A), he should wear ear protectors.



designation	reference	qty
PRESS FRAME	002.30.3001	1
PRESS HEAD	002.30.3002	1
RACK	002.30.3003	1
PINION	002.30.3004	1
SPRING	002.30.3005	1
SPRING STOP	002.30.3006	1
REAR WASHER	002.30.3007	2
LEVER	002.30.3008	1
SLIDER GUIDE	002.30.3009	1
COLLAR GUIDE	002.30.3010	1

